

MSD INSTALLATION INSTRUCTIONS

Flying Magnet Crank Trigger Kit With Hall Effect Pickup Sensor and Adjustable Timing Pointer GM Gen III/IV LS Engine PN 8618

ONLINE PRODUCT REGISTRATION: Register your MSD product online. Registering your product will help if there is ever a warranty issue with your product and helps the MSD R&D team create new products that you ask for! Go to www.msperformance.com/registration.

Parts Included:

1 - 6.56" Trigger Wheel	3 - 3/8" Washers
1 - Pickup Holder Assembly	1 - TDC Pointer Assembly
1 - Hall Effect Pickup Assembly (3/4" - 16 Thread Size)	3 - Bolts, 5/16" - 18 x 7/8"
1 - Pickup Base	1 - Bolt, M8x1.25x40mm
2 - Bolts, 5/16" - 18 x 1 1/4"	1 - Bolt, M8x1.25x75mm
2 - 5/16" Washers	2 - Spacers (Offset and Straight)
3 - Bolts, 3/8" - 16 x 1 1/2"	2 - Rectangular Nuts
	2 - Shims
	1 - Connector Kit

NOTE: On some vehicles the MSD Crank Trigger Kit may require slight modifications to accommodate special engine plates, pulley systems, etc.

NOTE: This kit is designed to be used with the ATI Harmonic Balancer 917776 and 917215. This kit is also compatible with Meziere water pump WP333.

INSTALLING THE PICKUP AND BRACKET

1. Mount the pickup holder and pointer assembly onto the bracket using the two 5/16x1 1/4" bolts and two 5/16 x 7/8" bolts. (Figure 1). This kit is reversible and can be mounted on either side of the of the damper.
2. Install the bracket onto the engine. We recommend loosely mounting the offset spacer to the engine first with the M8x40mm bolt, then line up the bracket mounting hole with the spacer. Be sure to use the correct length bolts and shims in the proper location.
3. Install the pickup and locknut into the holder. Do not tighten the locknut at this time.
4. Using method of your choice, verify No. 1 cylinder is at TDC, and then align TDC Pointer with "0" mark on balancer.

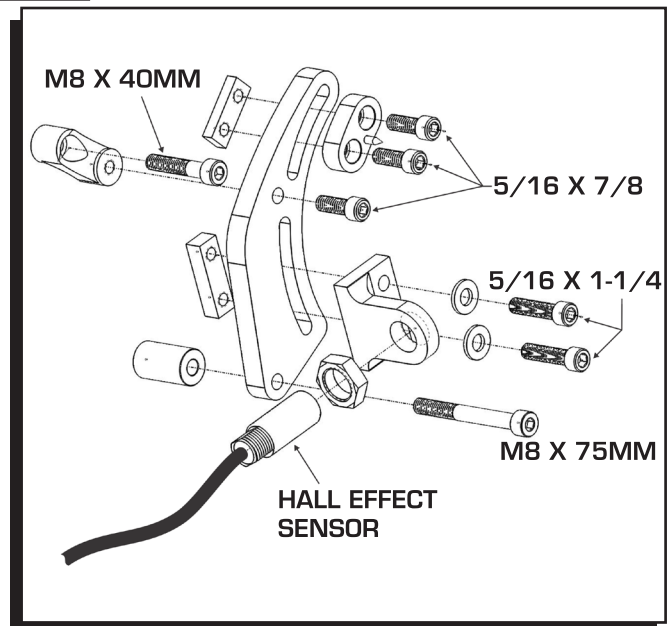


Figure 1. Pickup Bracket Assembly.



INSTALLATION INSTRUCTIONS

TECH NOTES

Service

In case of malfunction, this MSD component will be repaired free of charge according to the terms of the warranty. When returning MSD components for warranty service, **Proof of Purchase** must be supplied for verification. After the warranty period has expired, repair service is based on a minimum and maximum fee.

All returns must have a Return Material Authorization (RMA) number issued to them before being returned. To obtain an RMA number please contact MSD Customer Service at 1 (866) 464-6553 or visit our website at www.msdpower.com/rma to automatically obtain a number and shipping information.

When returning the unit for repair, leave all wires at the length in which you have them installed. Be sure to include a detailed account of any problems experienced, and what components and accessories are installed on the vehicle. The repaired unit will be returned as soon as possible using Ground shipping methods (ground shipping is covered by warranty). For more information, call MSD at (915) 855-7123. MSD technicians are available from 7:00 a.m. to 5:00 p.m. Monday - Friday (mountain time).

Limited Warranty

MSD warrants this product to be free from defects in material and workmanship under its intended normal use*, when properly installed and purchased from an authorized MSD dealer, for a period of one year from the date of the original purchase. This warranty is void for any products purchased through auction websites. If found to be defective as mentioned above, it will be repaired or replaced at the option of MSD. Any item that is covered under this warranty will be returned free of charge using Ground shipping methods.

This shall constitute the sole remedy of the purchaser and the sole liability of MSD. To the extent permitted by law, the foregoing is exclusive and in lieu of all other warranties or representation whether expressed or implied, including any implied warranty of merchantability or fitness. In no event shall MSD or its suppliers be liable for special or consequential damages.

*Intended normal use means that this item is being used as was originally intended and for the original application as sold by MSD. Any modifications to this item or if it is used on an application other than what MSD markets the product, the warranty will be void. It is the sole responsibility of the customer to determine that this item will work for the application they are intending. MSD will accept no liability for custom applications.