

MSD INSTALLATION INSTRUCTIONS

Flying Magnet Crank Trigger Kit With Hall Effect Pickup Sensor and Adjustable Timing Pointer GM Gen III/IV LS Engine PN 8619

ONLINE PRODUCT REGISTRATION: Register your MSD product online. Registering your product will help if there is ever a warranty issue with your product and helps the MSD R&D team create new products that you ask for! Go to www.msperformance.com/registration.

Parts Included:

1 - 7.25" Trigger Wheel	3 - 3/8" Washers
1 - Pickup Holder Assembly	1 - TDC Pointer Assembly
1 - Hall Effect Pickup Assembly (3/4" - 16 Thread Size)	3 - Bolts, 5/16" - 18 x 7/8"
1 - Pickup Base	1 - Bolt, M8x1.25x40mm
2 - Bolts, 5/16" - 18 x 1 1/4"	1 - Bolt, M8x1.25x75mm
2 - 5/16" Washers	2 - Spacers (Offset and Straight)
3 - Bolts, 3/8"- 16 x 1 1/2"	2 - Rectangular Nuts
	2 - Shims
	1 - Connector Kit
	1 - Centering Ring

NOTE: On some vehicles the MSD Crank Trigger Kit may require slight modifications to accommodate special engine plates, pulley systems, etc.

NOTE: This kit is designed to be used with the ATI Harmonic Balancer 917777 and 917211. This kit is also compatible with Meziere water pump WP333.

INSTALLING THE PICKUP AND BRACKET

1. Mount the pickup holder and pointer assembly onto the bracket using the two 5/16x1 1/4" bolts and two 5/16 x 7/8" bolts. (Figure 1). This kit is reversible and can be mounted on either side of the of the damper.
2. Install the bracket onto the engine. We recommend loosely mounting the offset spacer to the engine first with the M8x40mm bolt, then line up the bracket mounting hole with the spacer. Be sure to use the correct length bolts and shims in the proper location.
3. Install the pickup and locknut into the holder. Do not tighten the locknut at this time.
4. Using method of your choice, verify No. 1 cylinder is at TDC, and then align TDC Pointer with "0" mark on balancer.

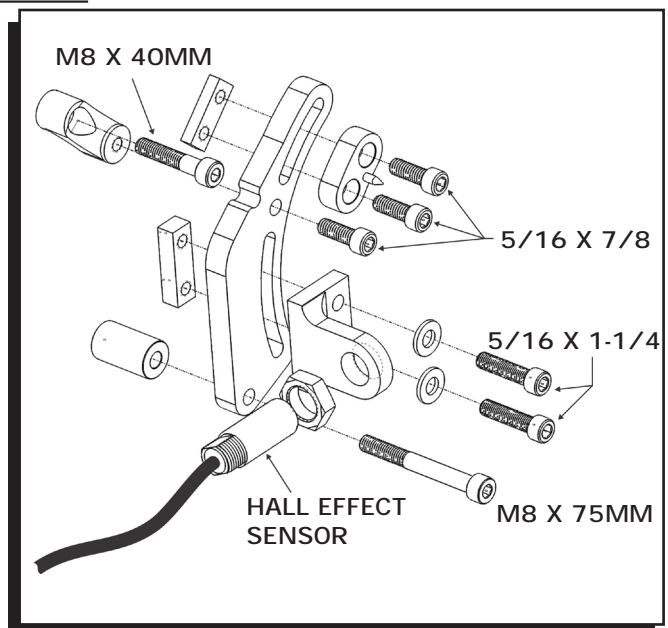


Figure 1. Pickup Bracket Assembly.

INSTALLING THE TRIGGER WHEEL

1. Position the No. 1 cylinder under compression at the desired total timing.
2. Position the trigger wheel onto the harmonic balancer so one of the four magnets lines up with the center of the pickup. Make sure the wheel is mounted so it rotates in the direction of the arrow on the wheel. If necessary, slide the pickup in its mount until it properly lines up with the trigger wheel magnet.
3. Check and make sure the wheel is positioned correctly with the pickup and torque the trigger wheel bolts to 25 - 30lb-ft. The pickup should be centered to the edge of the trigger wheel (Figure 2). If not, it may be necessary to add or delete shims to the pickup bracket to achieve the proper position.

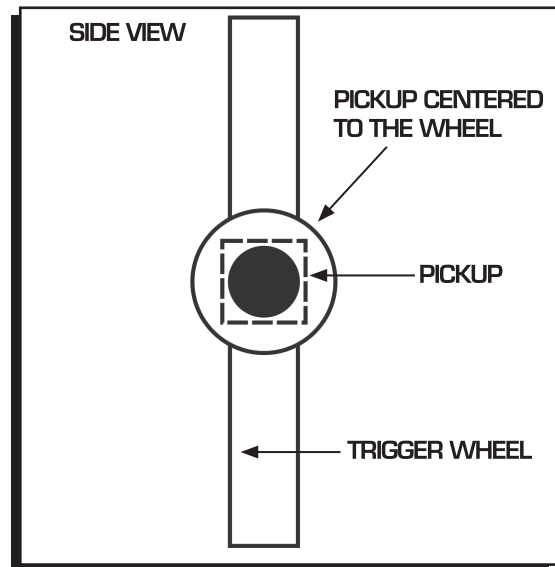


Figure 2. Pickup Centered on the Trigger Wheel.

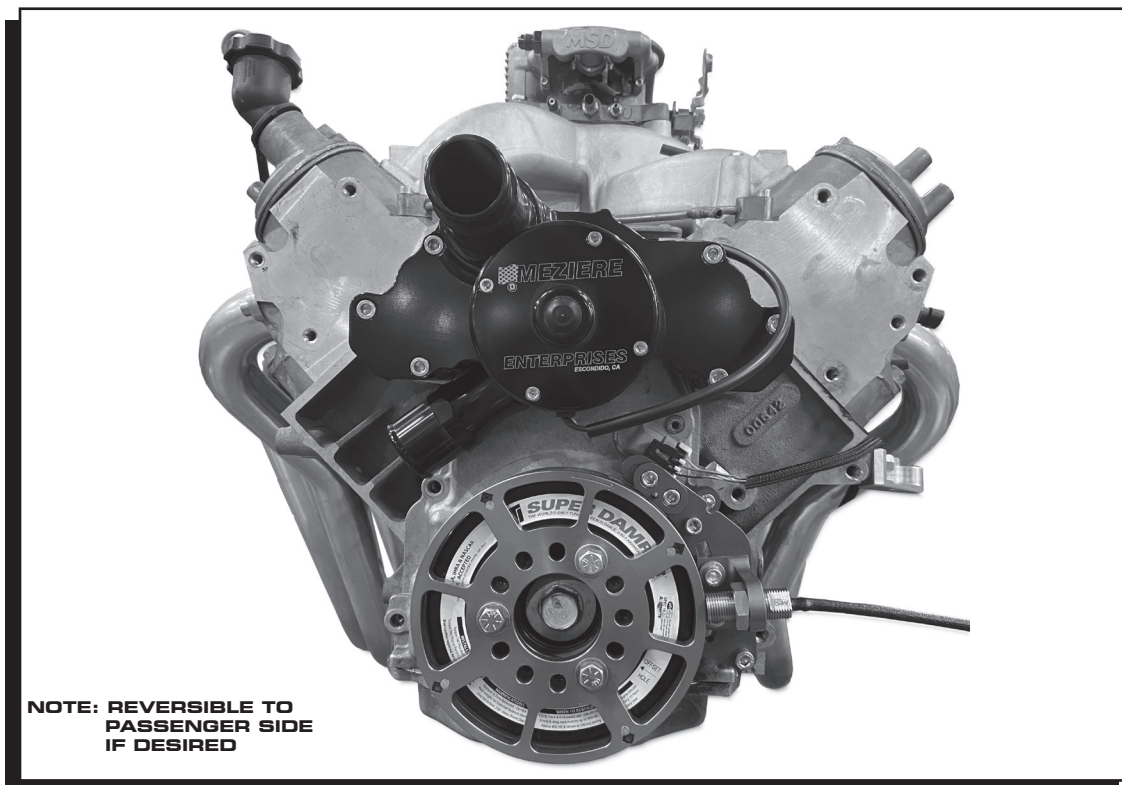


Figure 3. Installed MSD PN 8619 Trigger Kit With Hall Effect Sensor

